

SunnyPower

New Energy Co., Ltd.

Horticulture LED Solutions

Dynamically  
Spectrum

MUIZLUX<sup>®</sup>

SR04-320W

LED PhotonPanel for Horticulture

### SR Series

**Muizlux** LED PhotonPanel are ideal for commercial growers and home growers growing on vertical shelves. It has a wide-angle footprint and a targeted optimized full spectrum and various installation methods, which can fully meet the light supplementation needs of indoor planted seedlings, propagation, growth, harvesting and other stages.



Vertical Farming



Tissue Culture



Grafting



Seedling



Scientific Practices

Visit [www.muizlux.com](http://www.muizlux.com) for the latest in lighting innovations from the inventors of the LED

10  
YEARS  
OF  
HORTICULTURAL  
LIGHTING

# SR04 LED PhotonPanel



Muzilux SR series Lighting's PhotonPanel is an innovative LED grow light panel, providing high intensity light for a wide range of horticultural applications. The common footprint size, along with its very thin profile, allows for versatile integration into vertical shelving units or grow tents.

By adjusting the light intensity and spectral distribution it is possible to control the growth of the plant. Thereby, production can be adapted to market demand.

The flexibility of the fixture means that cultures can be grown even if they are off-season.

The ultra-slim design ensures the full utilization of space, and due to very little emission of heat, the fixtures can be placed close to the plant.

The composition of the diode colors is adapted to the plant's needs (the photosynthetically active light), for improved growth.

LEDs do not emit much heat. The advantage is that by heating from an alternative heat source instead of the fixtures a healthy and uniform climate is ensured without large fluctuations in temperature.

Uniform light on the plant due to an optical lens system - thereby minimizing light waste and shadow footprint.

LED may reduce the need for Plant Growth Regulation (PGR).

Long lifetime with no reduction of light output over time.

With its long lifetime, many applications and improved plant growth, the choice of our LED fixture is a solid and future-proof investment.



## Key benefits

- Adjustable spectral distribution and light intensity - can therefore be adapted to the individual culture's needs.
- Emits very little heat, so no need for cooling.
- Latest diode technology, which provides low power consumption, increased efficiency and long lifetime.
- Designed for the humid climate of a growing environment - IP65.
- LED improves plant growth and increases the taste intensity of edible plants.
- High-reflectance pure white soldermask for improved system efficacy.

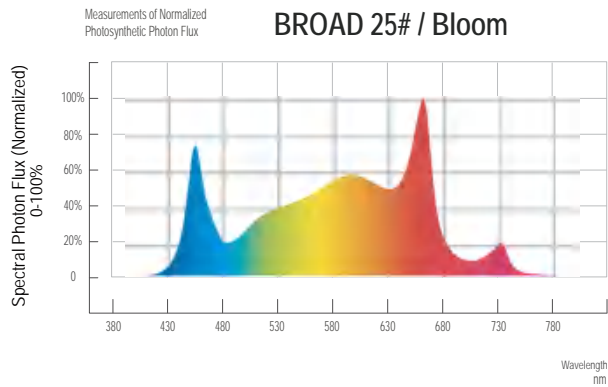
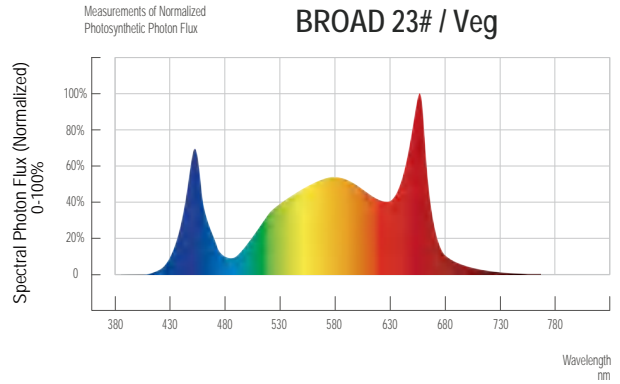
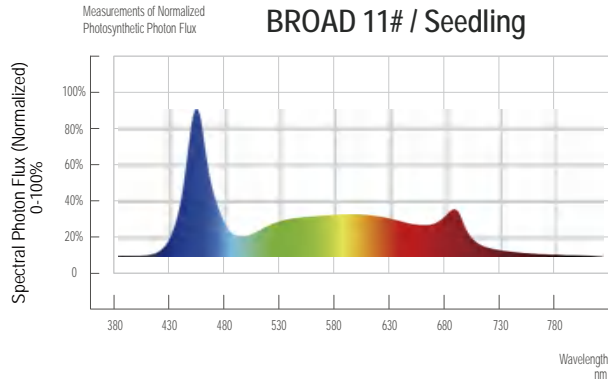
Specification		L787mm×W600mm×H83.5mm / 31.0inch×23.6inch×3.29inch
		CO*
Photon Flux	μmol/s	864
Power consumption	W	320
System efficacy	μmol/J	2.7
Power factor		>92% at full load
Input Voltage		100-277V AC, 50/60Hz
Light Distribution		120°
Mounting Height		≥6" (15.2cm) Above Canopy
Ingress protection rating		IP65
Lifetime(Driver and LED L90)	hrs	>36,000
Certifications		FCC,CE,UKCA,PSE,ROHS
Warranty		3 years

CO\* = Intelligent control output



Contact **Muizlux** @  
support@muizlux.com  
www.muizlux.com

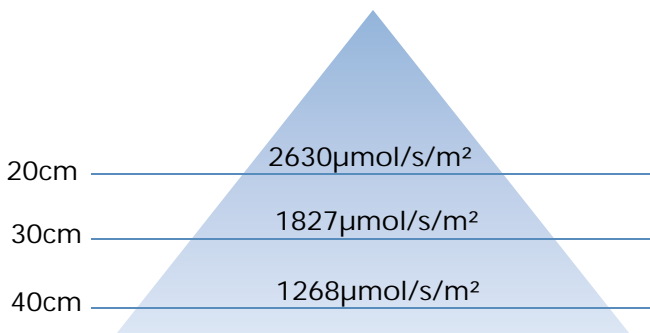
## Spectral Distribution



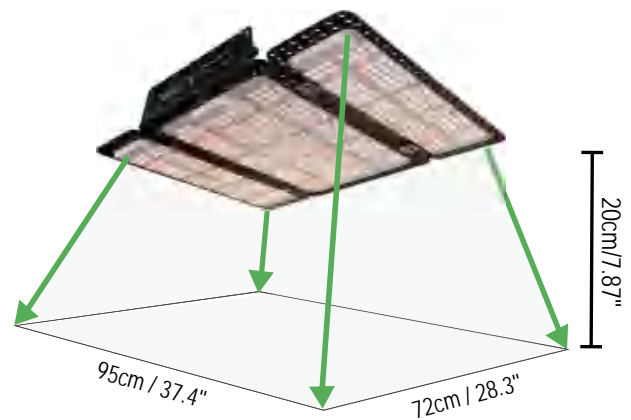
Control System

## PPFD

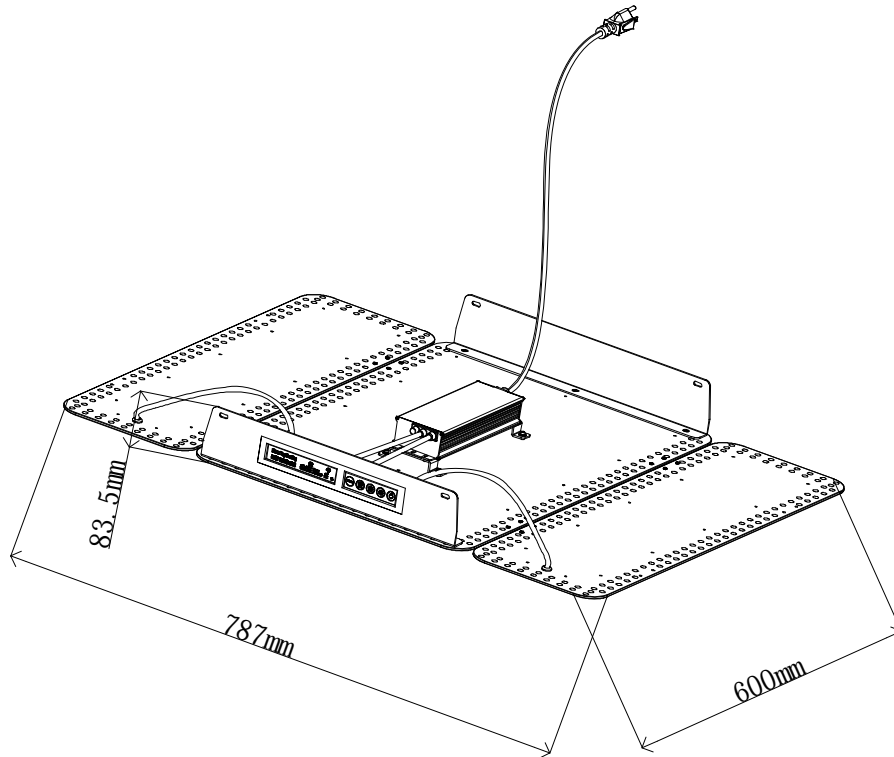
### SR04-RO-320W-PPFD



### SR04 Coverage



## Dimensions & Package



Par No.	Inner Box Size(mm)	Weight/PC(KG)	QTY/CTN	Out Carton Size(mm)	N.W.(KG)	G.W.(KG)
SR04-320W	W645*H455*L135	8.5	2PCS	W660*H470*L285	17.0	18.5



### Sunnypower New Energy Co., Ltd.

4 Building, Caifa Industrial Zone, 181# Renmin Road, Fucheng Town, Longhua District, Shenzhen City, Guangdong Province, China